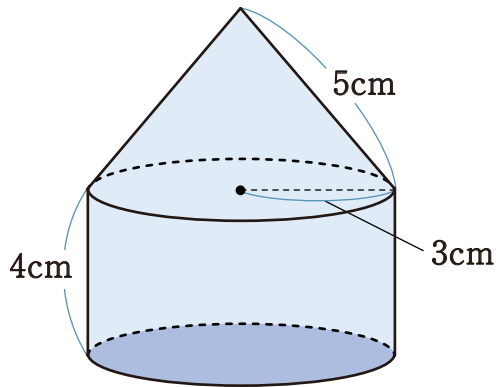
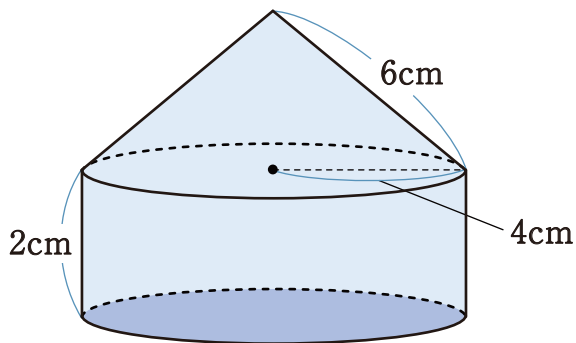


1 次の図形の表面積を求めなさい。

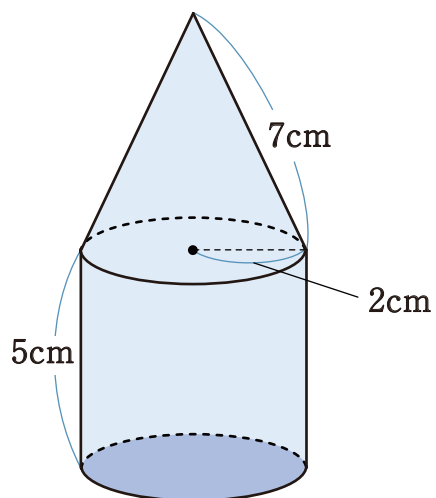
①



②

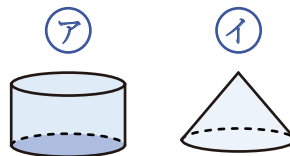
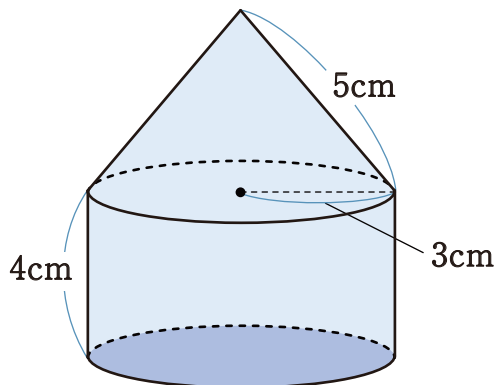


③



1 次の図形の表面積を求めなさい。

①



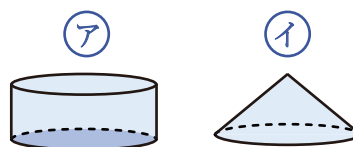
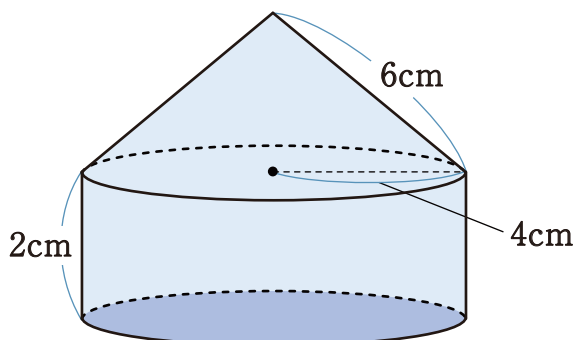
$$48 \pi \text{ cm}^2$$

$$4 \times (2 \pi \times 3) + \pi \times 3^2 = 33 \pi \text{ cm}^2 \quad \dots \text{ア}$$

$$\pi \times 5 \times 3 = 15 \pi \text{ cm}^2 \quad \dots \text{イ}$$

$$33 \pi + 15 \pi = 48 \pi \text{ cm}^2$$

②



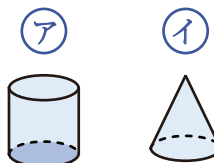
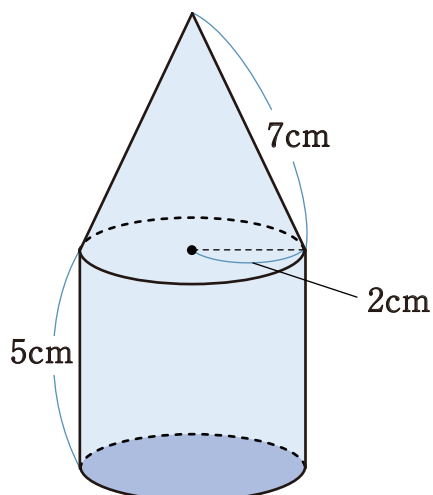
$$56 \pi \text{ cm}^2$$

$$2 \times (2 \pi \times 4) + \pi \times 4^2 = 32 \pi \text{ cm}^2 \quad \dots \text{ア}$$

$$\pi \times 6 \times 4 = 24 \pi \text{ cm}^2 \quad \dots \text{イ}$$

$$32 \pi + 24 \pi = 56 \pi \text{ cm}^2$$

③



$$38 \pi \text{ cm}^2$$

$$5 \times (2 \pi \times 2) + \pi \times 2^2 = 24 \pi \text{ cm}^2 \quad \dots \text{ア}$$

$$\pi \times 7 \times 2 = 14 \pi \text{ cm}^2 \quad \dots \text{イ}$$

$$24 \pi + 14 \pi = 38 \pi \text{ cm}^2$$